

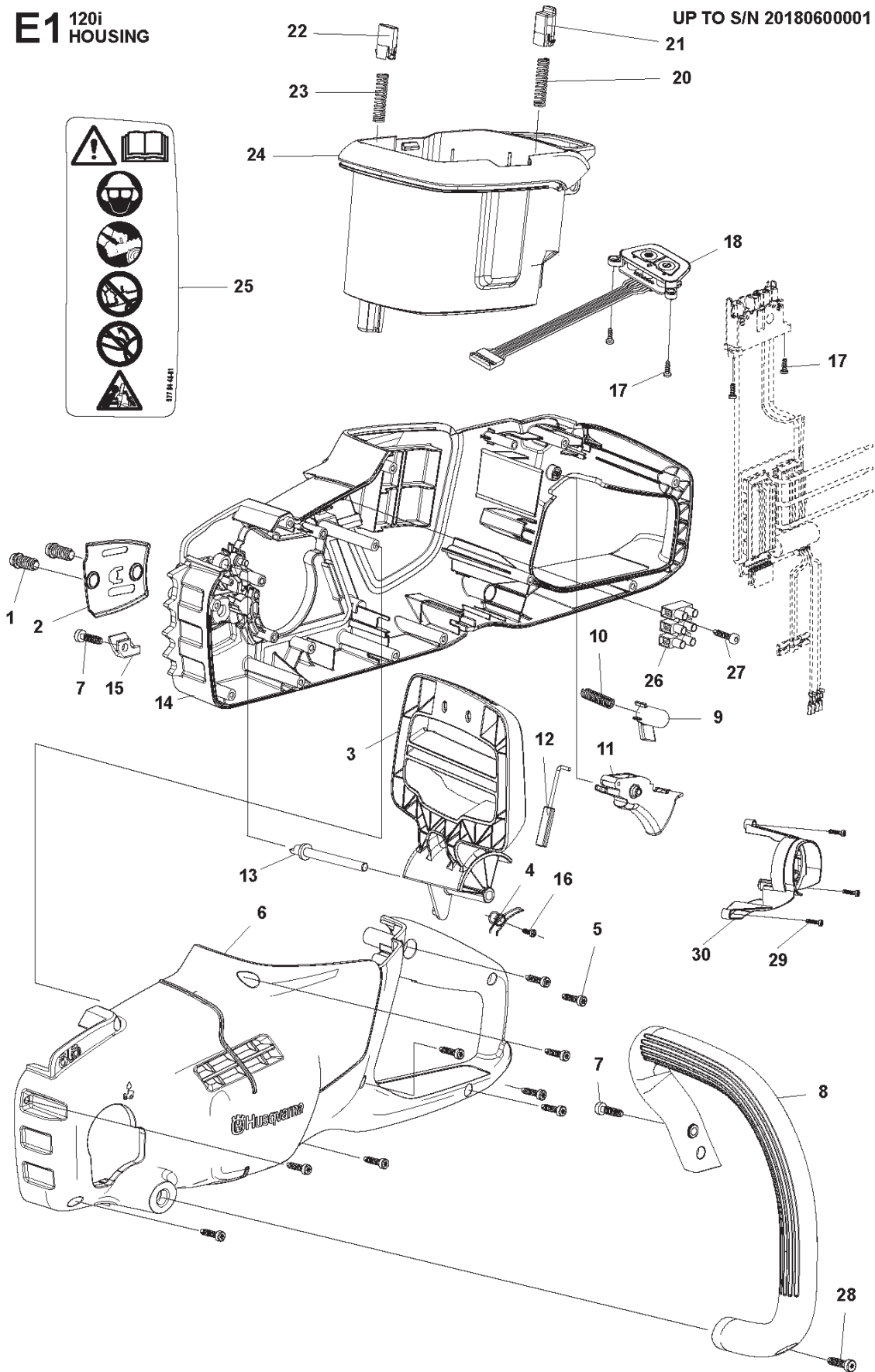
RESERVDELSKATALOG
: HUSQVARNA 120I UTAN BATTERI OCH LADDARE

Reservdelslista

RESERVDELSLISTA

E1 120i HOUSING

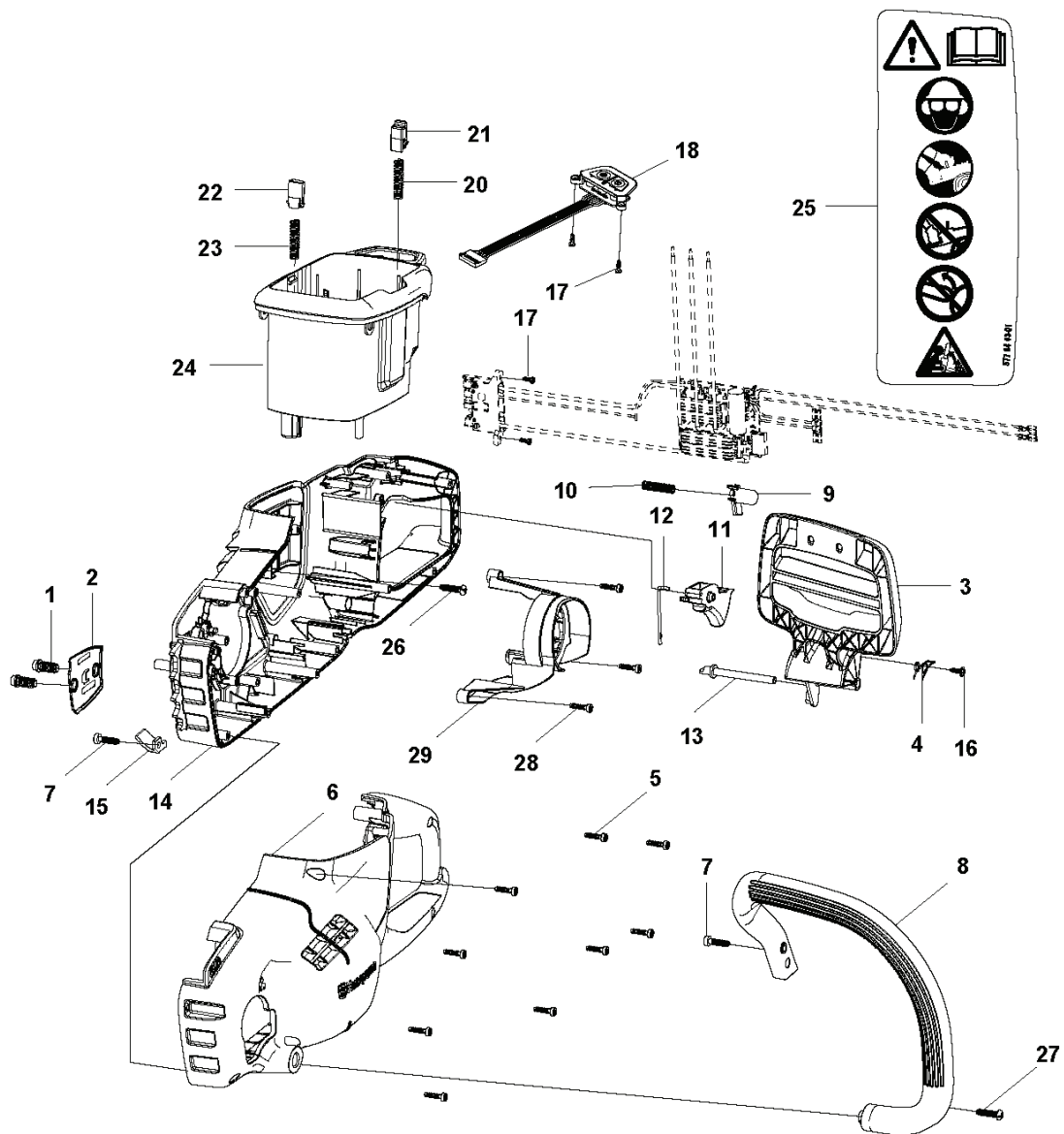
UP TO S/N 2018060001



| REF. | ART. NR | ARTIKELBESKRIVNING | ANMÄRKNING | KIT |
|------|-----------|--------------------|------------|-----|
| 1 | 587426601 | SCREW | | 2 |
| 2 | 585602701 | MOUNTING PLATE | | 1 |
| 3 | 585581301 | BROMS | | 1 |
| 4 | 587600101 | FJÄDER | | 1 |
| 5 | 585819002 | SCREW | | 9 |
| 6 | 588162502 | HUS | | 1 |
| 7 | 585592501 | SCREW | | 2 |
| 8 | 585590201 | HANDTAG FRÄMRE | | 1 |
| 9 | 585590001 | KNAPP | | 1 |
| 10 | 585590101 | FJÄDER | | 1 |
| 11 | 585589801 | UTLÖSARE | | 1 |
| 12 | 585589301 | HÄVARM | | 1 |
| 13 | 585931901 | LAGERTAPP | | 1 |
| 14 | 585566802 | HUS | | 1 |
| 15 | 505288501 | KEDJEFÅNGARE | | 1 |
| 16 | 575309802 | SCREW | | 1 |
| 17 | 585818901 | SCREW | | 4 |
| 18 | 599392301 | KEY PAD | | 1 |
| 20 | 585636201 | FJÄDER | | 1 |
| 21 | 577996601 | TRYCKKNAPP | | 1 |
| 22 | 585636001 | TRYCKKNAPP | | 1 |
| 23 | 585636601 | FJÄDER | | 1 |
| 24 | 585593001 | BATTERILÄDA | | 1 |
| 25 | 577844301 | DEKAL | | 1 |
| 26 | 582569301 | KOPPLING | | 1 |
| 27 | 582712201 | SCREW | | 1 |
| 28 | 574223901 | SCREW | | 1 |
| 29 | 585819001 | SCREW | | 1 |
| 30 | 582486701 | KÅPA | | 1 |

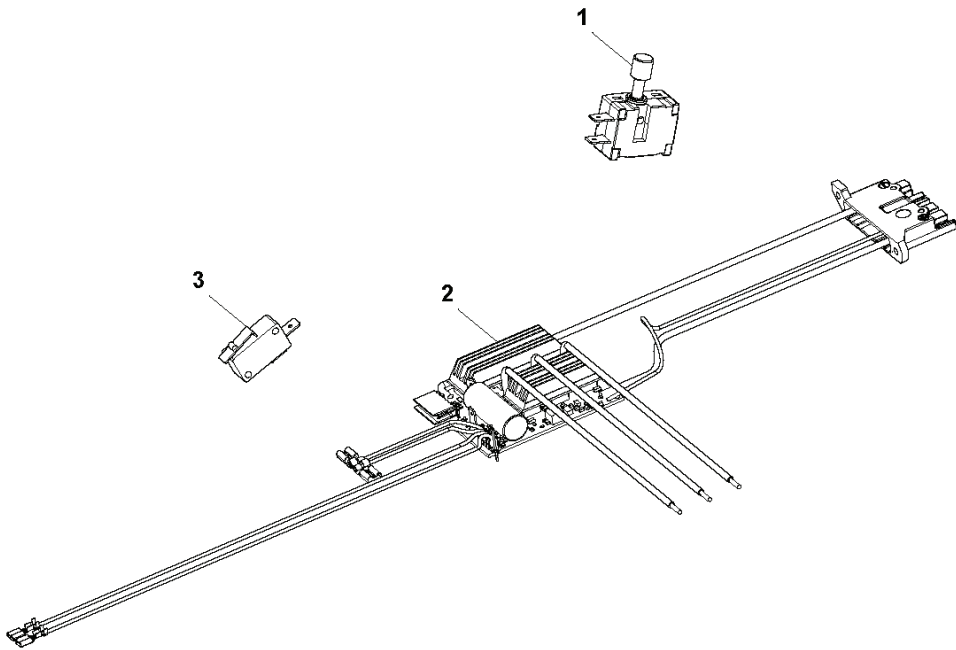
E2 120i HOUSING

HIGHER THAN S/N 2018060001



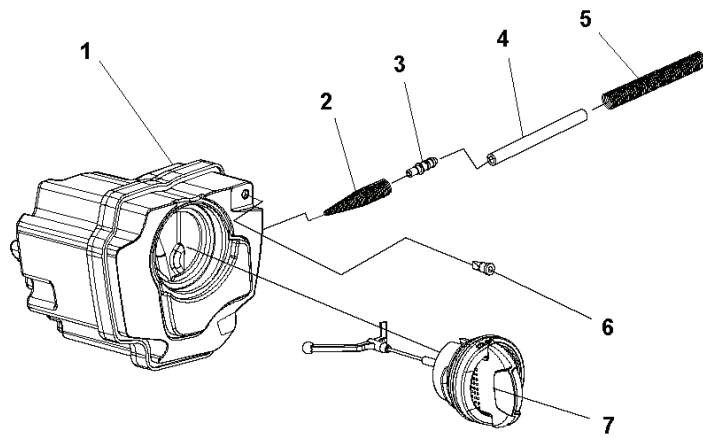
| REF. | ART. NR | ARTIKELBESKRIVNING | ANMÄRKNING | KIT |
|------|-----------|--------------------|------------|-----|
| 1 | 587426601 | SCREW | | 2 |
| 2 | 585602701 | MOUNTING PLATE | | 1 |
| 3 | 585581301 | BROMS | | 1 |
| 4 | 587600101 | FJÄDER | | 1 |
| 5 | 585819002 | SCREW | | 9 |
| 6 | 588162502 | HUS | | 1 |
| 7 | 585592501 | SCREW | | 2 |
| 8 | 585590201 | HANDTAG FRÄMRE | | 1 |
| 9 | 585590001 | KNAPP | | 1 |
| 10 | 585590101 | FJÄDER | | 1 |
| 11 | 585589801 | UTLÖSARE | | 1 |
| 12 | 585589301 | HÄVARM | | 1 |
| 13 | 585931901 | LAGERTAPP | | 1 |
| 14 | 585566802 | HUS | | 1 |
| 15 | 505288501 | KEDJEFÅNGARE | | 1 |
| 16 | 575309802 | SCREW | | 1 |
| 17 | 585818901 | SCREW | | 4 |
| 18 | 599392301 | KEY PAD | | 1 |
| 20 | 585636201 | FJÄDER | | 1 |
| 21 | 577996601 | TRYCKKNAPP | | 1 |
| 22 | 585636001 | TRYCKKNAPP | | 1 |
| 23 | 585636601 | FJÄDER | | 1 |
| 24 | 585593001 | BATTERILÄDA | | 1 |
| 25 | 577844301 | DEKAL | | 1 |
| 26 | 582712201 | SCREW | | 1 |
| 27 | 574223901 | SCREW | | 1 |
| 28 | 585819001 | SCREW | | 3 |
| 29 | 591073801 | KÅPA | | 1 |

F 120i
ELECTRICAL



| REF. | ART. NR | ARTIKELBESKRIVNING | ANMÄRKNING | KIT |
|------|-----------|--------------------|------------|-----|
| 1 | 591157001 | BRYTARE | | 1 |
| 2 | 597178301 | MANÖVERDON | | 1 |
| 3 | 591157101 | MIKROBRYTARE | | 1 |

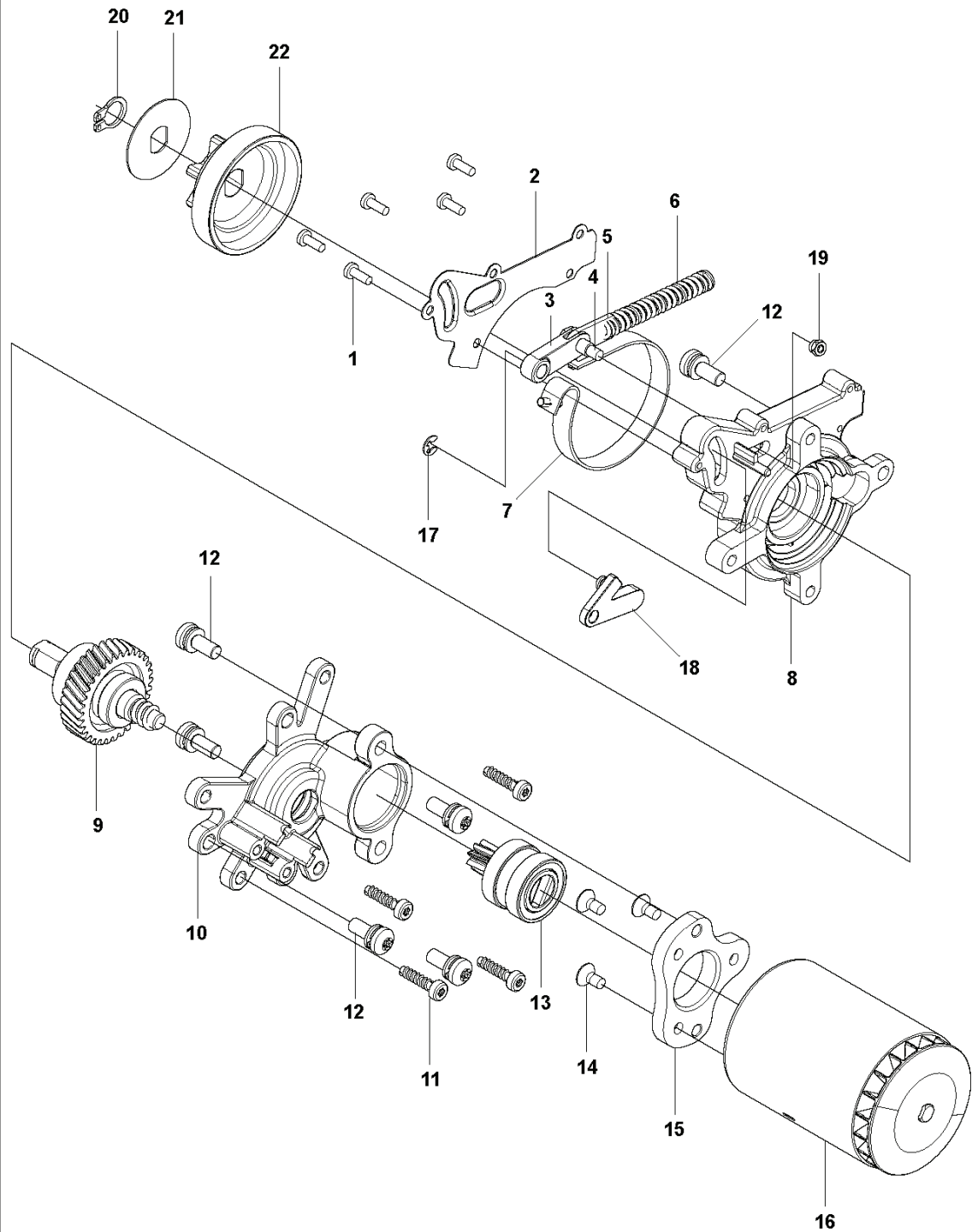
A 120i
OIL TANK



| REF. | ART. NR | ARTIKELBESKRIVNING | ANMÄRKNING | KIT |
|------|-----------|--------------------|------------|-----|
| 1 | 582734601 | TANK KPL | | 1 |
| 2 | 582148601 | FJÄDER | | 1 |
| 3 | 574800901 | RÖR | | 1 |
| 4 | 585566601 | OLJESLANG | | 1 |
| 5 | 581990101 | SPÄNNSTIFT | | 1 |
| 6 | 575484501 | VALVE NIPPLE | | 1 |
| 7 | 522620003 | TANKLOCK KPL | | 1 |

B1 120i
GEAR BOX

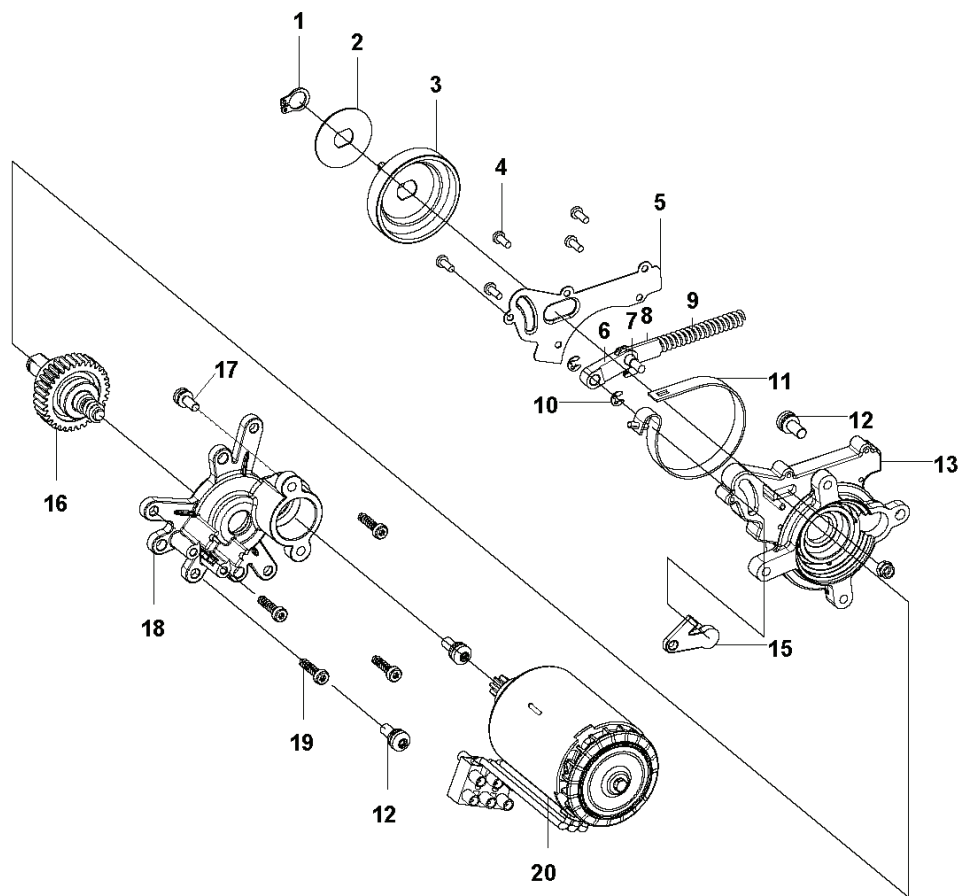
UP TO S/N 20180600001



| REF. | ART. NR | ARTIKELBESKRIVNING | ANMÄRKNING | KIT |
|------|-----------|--------------------|--|-----|
| 1 | 586903001 | SCREW | | 5 |
| 2 | 585589701 | TÄCKPLATTA | | 1 |
| 3 | 585603501 | PLATTA | | 1 |
| 4 | 586902601 | PENNOR | | 1 |
| 5 | 585594401 | PLATTA | | 1 |
| 6 | 585590501 | BROMSFJÄDER | | 1 |
| 7 | 585590301 | BROMSBAND | | 1 |
| 8 | 582486801 | GEARBOX | | 1 |
| 9 | 582864301 | AXEL | | 1 |
| 10 | 582454701 | GEARBOX | | 1 |
| 11 | 585819002 | SCREW | | 4 |
| 12 | 586902801 | SCREW | | 6 |
| 13 | 582864201 | DREV | | 1 |
| 14 | 582561101 | SCREW | | 3 |
| 15 | 582456701 | KOPPLING | | 1 |
| 16 | 582492201 | MOTOR | 1000W, 36V, BLDC, 3 PHASES, OBLIQUE SHAFT | 1 |
| 17 | 587377701 | ÖVERFALL | | 1 |
| 18 | 582488701 | DRIVLÄNK | | 1 |
| 19 | 586902701 | MUTTER | | 1 |
| 20 | 574797701 | LOCKING RING | | 1 |
| 21 | 585602001 | BRICKA | | 1 |
| 22 | 585589601 | DREV | 3/8"-6T | 1 |

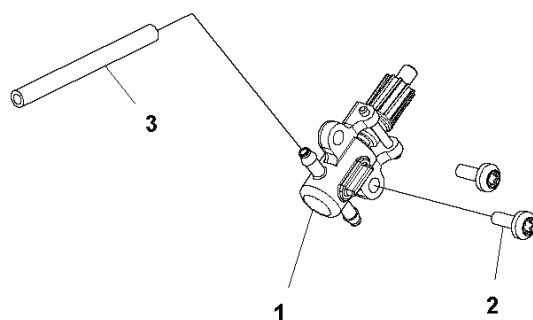
B2 120i
GEAR BOX

HIGHER THAN S/N 2018060001



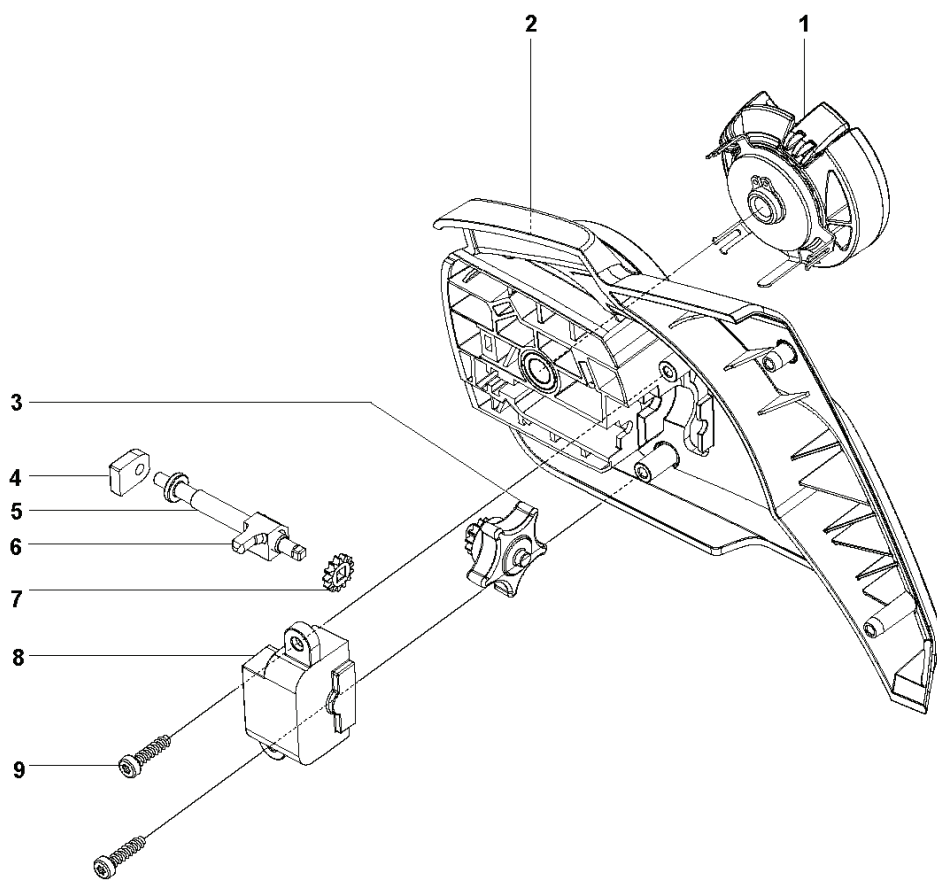
| REF. | ART. NR | ARTIKELBESKRIVNING | ANMÄRKNING | KIT |
|------|-----------|--------------------|---|-----|
| 1 | 574797701 | LOCKING RING | | 1 |
| 2 | 585602001 | BRICKA | | 1 |
| 3 | 585589601 | DREV | 3/8"-6T | 1 |
| 4 | 586903001 | SCREW | | 5 |
| 5 | 585589701 | TÄCKPLATTA | | 9 |
| 6 | 585603501 | PLATTA | | 1 |
| 7 | 586902601 | PENNOR | | 2 |
| 8 | 585594401 | PLATTA | | 1 |
| 9 | 585590501 | BROMSFJÄDER | | 1 |
| 10 | 587377701 | ÖVERFALL | | 2 |
| 11 | 585590301 | BROMSBAND | | 1 |
| 12 | 586902801 | SCREW | | 4 |
| 13 | 582486801 | GEARBOX | | 1 |
| 14 | 586902701 | MUTTER | | 1 |
| 15 | 582488701 | DRIVLÄNK | | 1 |
| 16 | 591388901 | AXEL | | 1 |
| 17 | 585944402 | SCREW | | 2 |
| 18 | 591073901 | GEARBOX | | 1 |
| 19 | 585819002 | SCREW | | 4 |
| 20 | 591090701 | MOTOR | 1000W, 36V, BLDC, 3 PHASES, STRAIGHT SHAFT | 1 |

C 120i
OIL PUMP



| REF. | ART. NR | ARTIKELBESKRIVNING | ANMÄRKNING | KIT |
|------|-----------|--------------------|------------|-----|
| 1 | 586846501 | OLJEPUMP KPL | | 1 |
| 2 | 586902901 | SCREW | | 2 |
| 3 | 585566601 | OLJESLANG | | 1 |

D 120i
CLUTCH COVER



| REF. | ART. NR | ARTIKELBESKRIVNING | ANMÄRKNING | KIT |
|------|-----------|--------------------|------------|-----|
| 1 | 591471101 | KNOPP | | 1 |
| 2 | 585593201 | KOPPLINGSKÅPA | | 1 |
| 3 | 578776501 | KEDJESPÄNNARE | | 1 |
| 4 | 585594001 | HYLSA | | 1 |
| 5 | 585593901 | AXEL | | 1 |
| 6 | 585593701 | PLATTA | | 1 |
| 7 | 585593501 | DREV | | 1 |
| 8 | 585593401 | KÅPA | | 1 |
| 9 | 585819001 | SCREW | | 2 |