

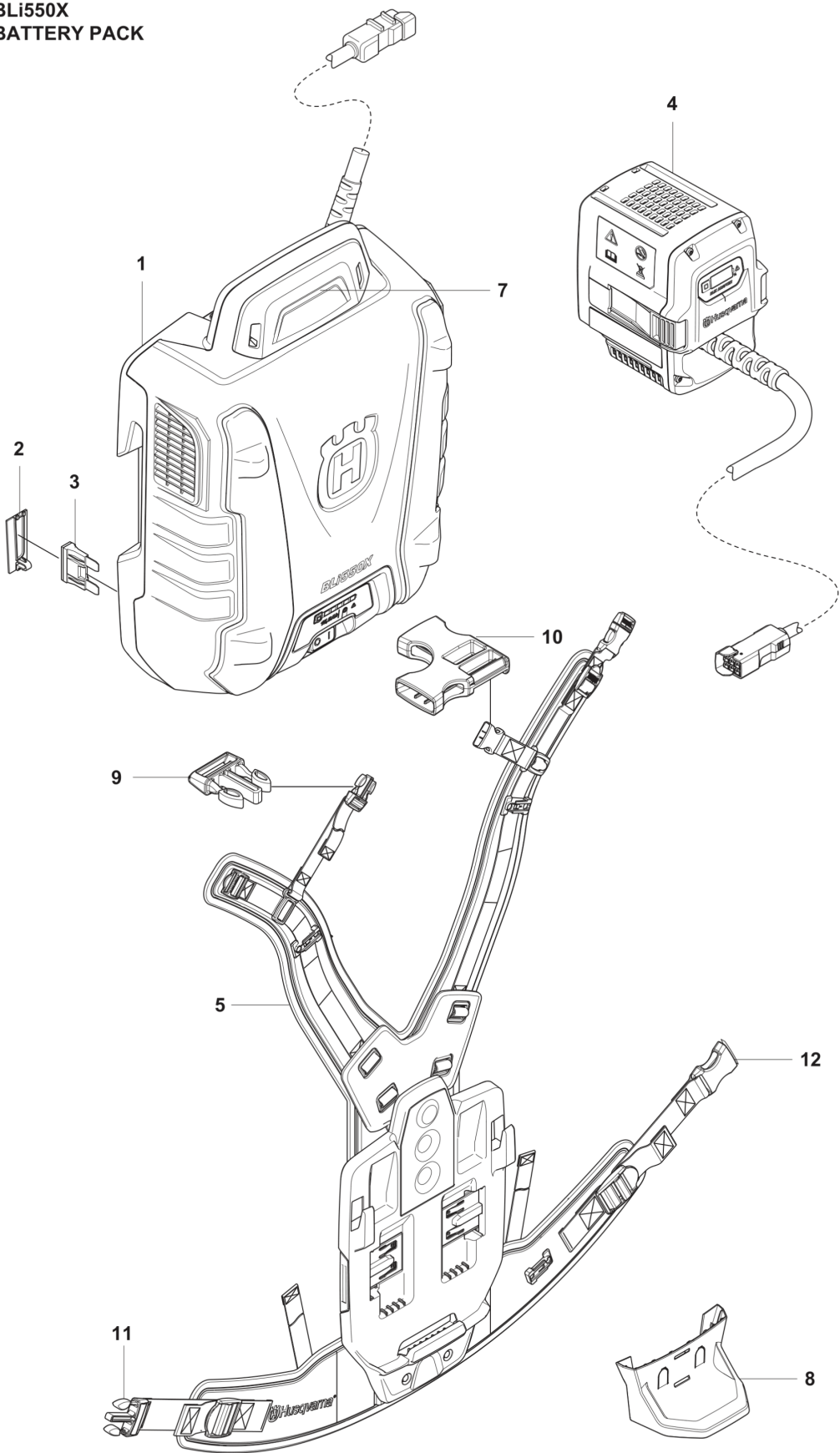
RESERVDELSKATALOG

: BLI550X

Reservdelslista

RESERVDELSLISTA

**BLi550X
BATTERY PACK**



| REF. | ART. NR | ARTIKELBESKRIVNING | ANMÄRKNING | KIT |
|------|-----------|--------------------|---------------------------------|-----|
| 1 | 579822201 | BATTERI | BLI950X | 1 |
| 1 | 579824401 | BATTERI | BLI550X | 1 |
| 2 | 582771701 | SÄKRING | FUSE CAP | 1 |
| 3 | 582768701 | SÄKRING | | 1 |
| 4 | 582780501 | BATTERY ADAPTER | ADAPTER ASSY | 1 |
| 5 | 582909001 | SELE KPL | | 1 |
| 7 | 581546601 | HANDTAG | HANDLE COVER | 1 |
| 8 | 501826601 | STÖD | | 1 |
| 9 | 537305601 | SPÄNNE | | 1 |
| 10 | 597538401 | SPÄNNE | , BLI950X, BLI550X, FUSE CAP | 1 |
| 11 | 537305401 | SPÄNNE | | 1 |
| 12 | 537305301 | SPÄNNE | | 1 |