

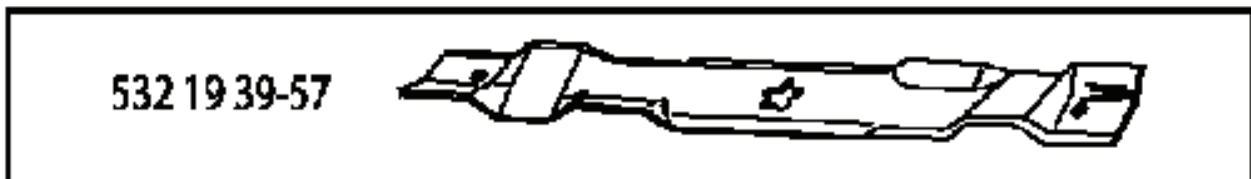
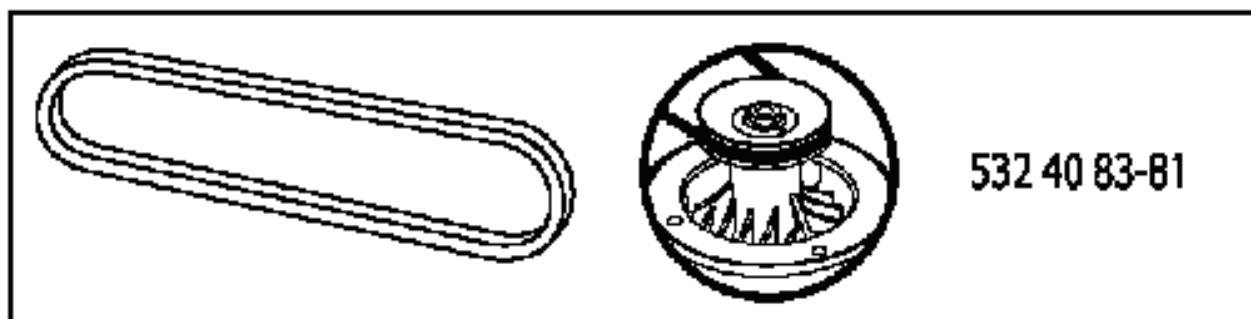
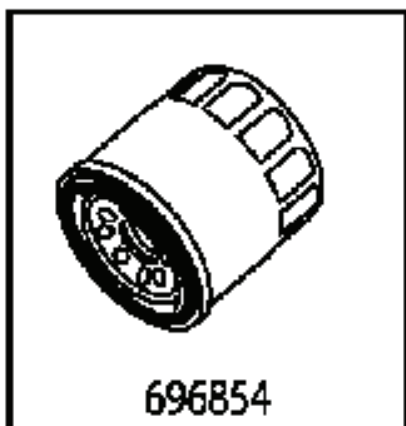
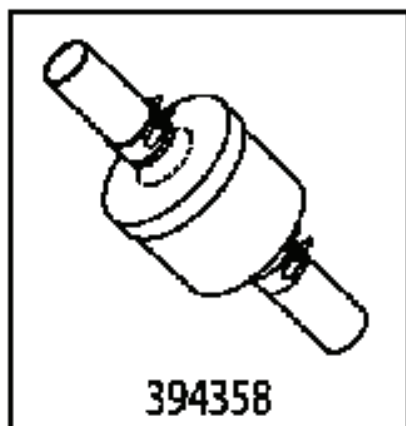
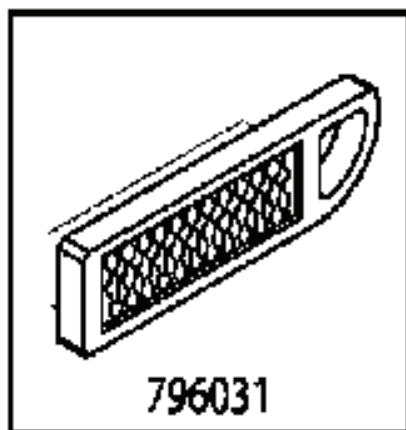
# **RESERVDELSKATALOG**

**: JONSERED**

Reservdelslista

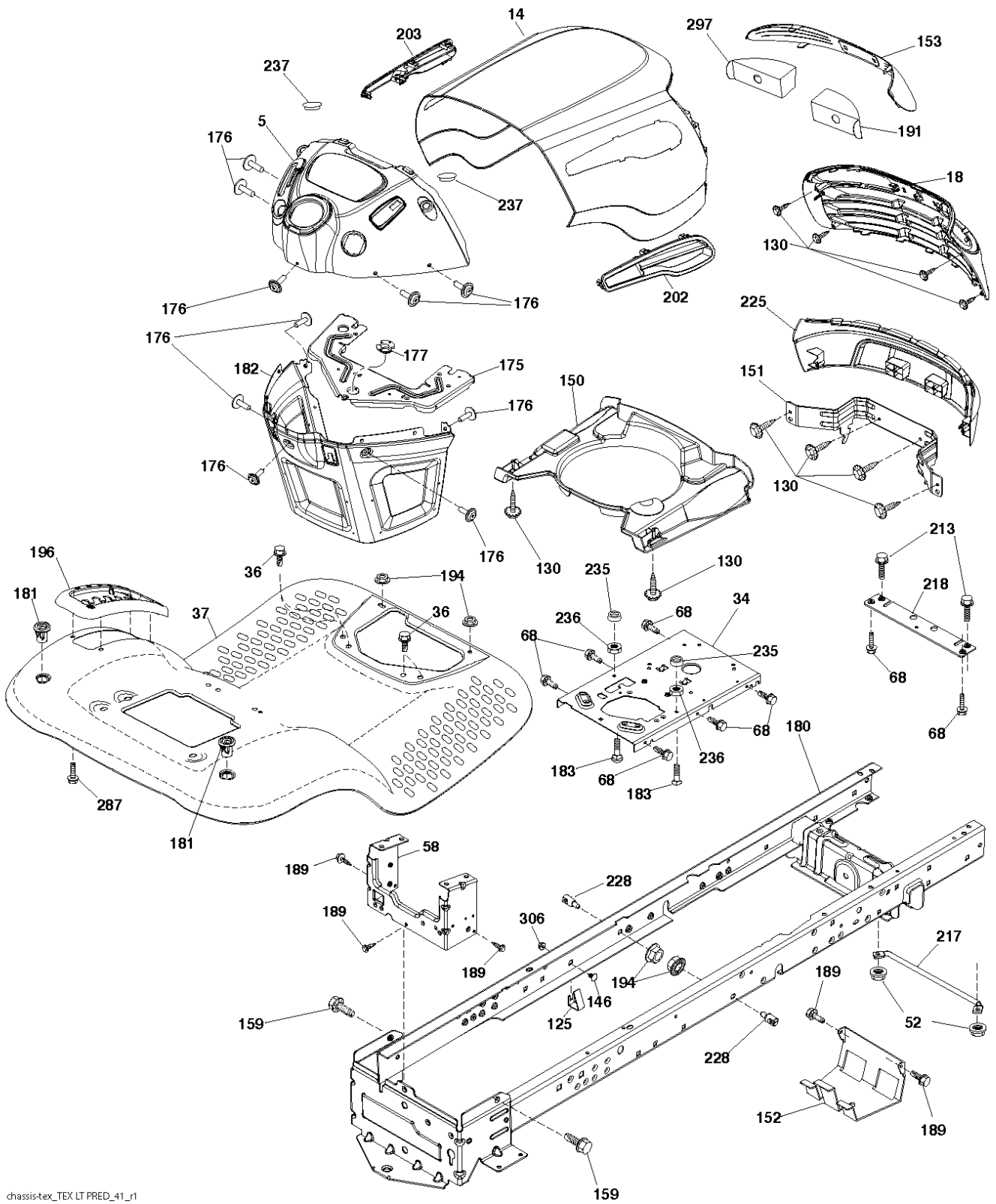
---

# RESERVDELSLISTA

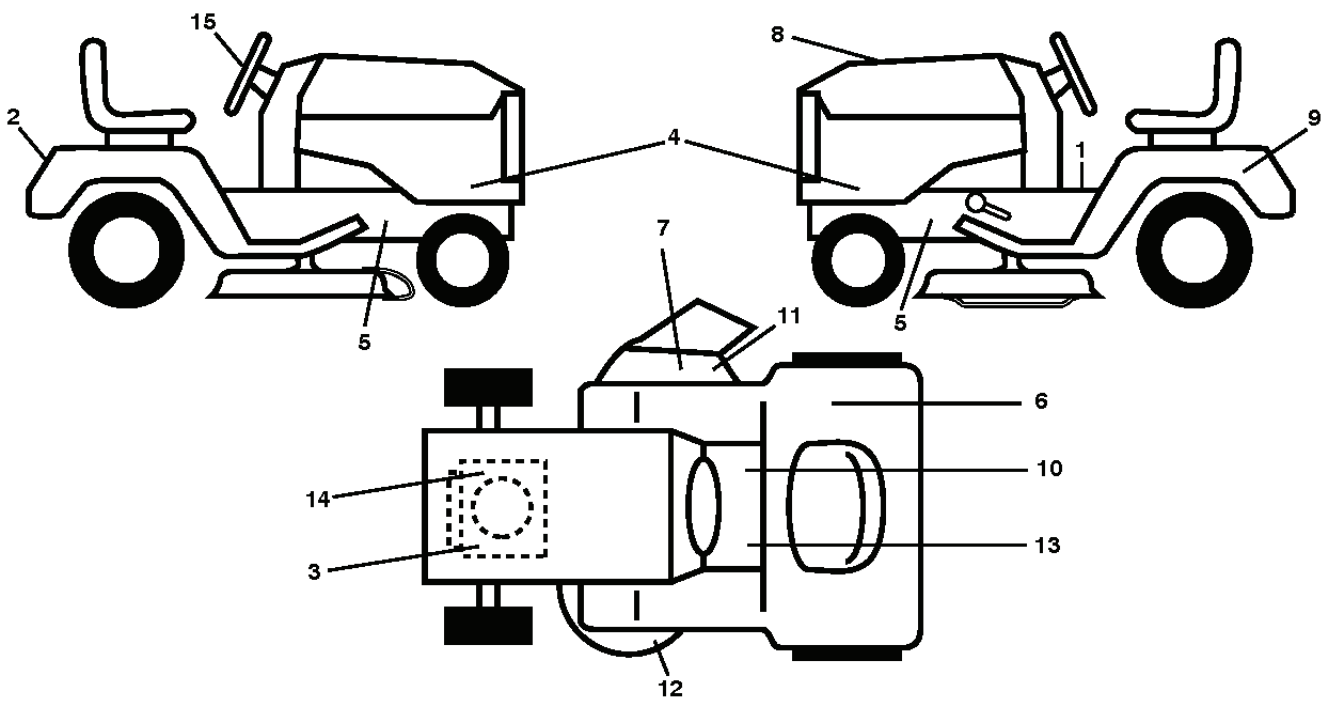


---

REF.	ART. NR	ARTIKELBESKRIVNING	ANMÄRKNING	KIT
796031	TBD	TBD		1
QC12YC	QC12YC	TBD		1
394358	394358	FILTER		1
696854	696854	LFILTER CTH170		1
532130969	532130969	REM		1
532408381	532408381	REM		1
532193957	532193957	RIDE ON BLADE		1



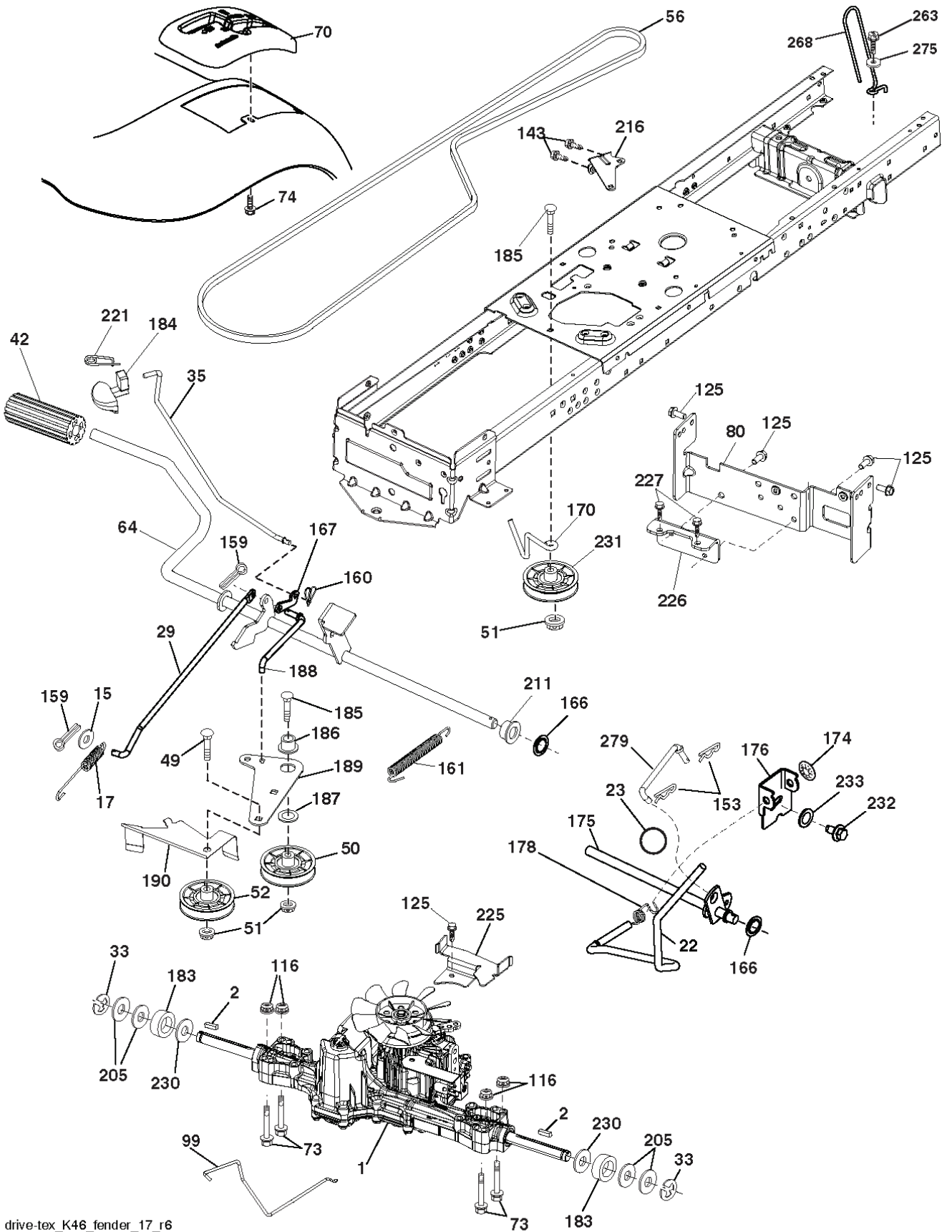
REF.	ART. NR	ARTIKELBESKRIVNING	ANMÄRKNING	KIT
5	532409597	PANEL		1
14	532441287	HUV		1
18	532426511	GRILLE		1
34	580910801	CHASSI		1
36	817060512	SCREW		1
37	532442044	STÄNKSKÄRM		1
52	873680500	MUTTER		1
58	532412280	PLATTA		1
68	817490508	SCREW		1
125	581684801	KLÄMMA		1
130	532416358	SCREW		1
146	581857901	BULT		1
150	532400267	LUFTLEDARE		1
151	532187568	FÄSTE		1
152	532199535	SKÄRM		1
153	532444264	LINS		1
159	817000612	SCREW		1
175	532199472	PLATTA		1
176	532400776	SCREW		1
177	532195228	BUSHING		1
180	532415063	RAM		1
181	532404796	BUSHING		1
182	532407176	PANEL		1
183	874520520	BULT		1
189	817000512	SCREW		1
191	532416502	INSATS		1
194	873900500	MUTTER		1
196	532414579	KONSOL		1
202	532424322	LUFTLEDARE		1
203	532424323	LUFTLEDARE		1
213	874760512	BULT		1
217	532409167	STÅNG		1
218	532196395	PLATTA		1
225	532441487	BUPMER		1
228	532195161	STUD		1
235	532406129	DISTANSBRICKA		1
236	873930500	MUTTER		1
237	532403704	PLUGG		1
287	817600406	SCREW		1
297	532401827	LINS		1
306	873900600	MUTTER		1



---

REF.	ART. NR	ARTIKELBESKRIVNING	ANMÄRKNING	KIT
1	532400389	DEKAL		1
2	532437443	DEKAL		1
3	532196841	DEKAL		1
4	532437585	DEKAL		1
5	532159736	DEKAL		1
6	532180432	DEKAL		1
7	532182166	DEKAL		1
8	532443243	DEKAL		1
9	532145005	DEKAL		1
10	532140837	DEKAL		1
11	532196357	DECALC."DANGER DEFLECTEUR"		1
12	532194302	DECALC.SCHEMA MONTAGE		1
13	532159737	DEKAL		1
14	532437482	DEKAL		1
15	532437445	DEKAL		1
--	532166960	DEKAL		1
--	532162598	DEKAL		1
--	532409505	DYNA		1
--	532411273	DYNA		1

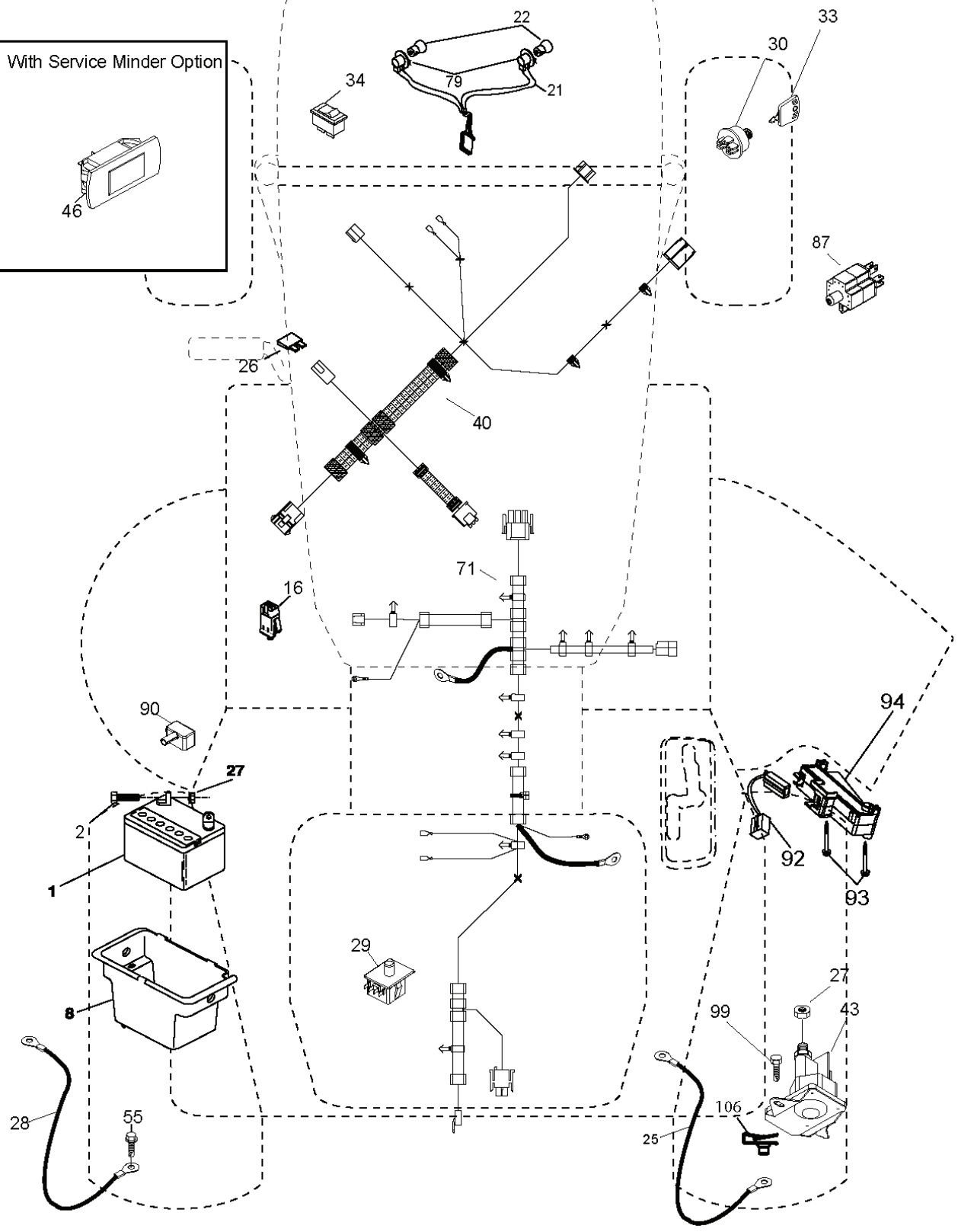
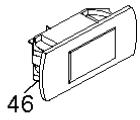




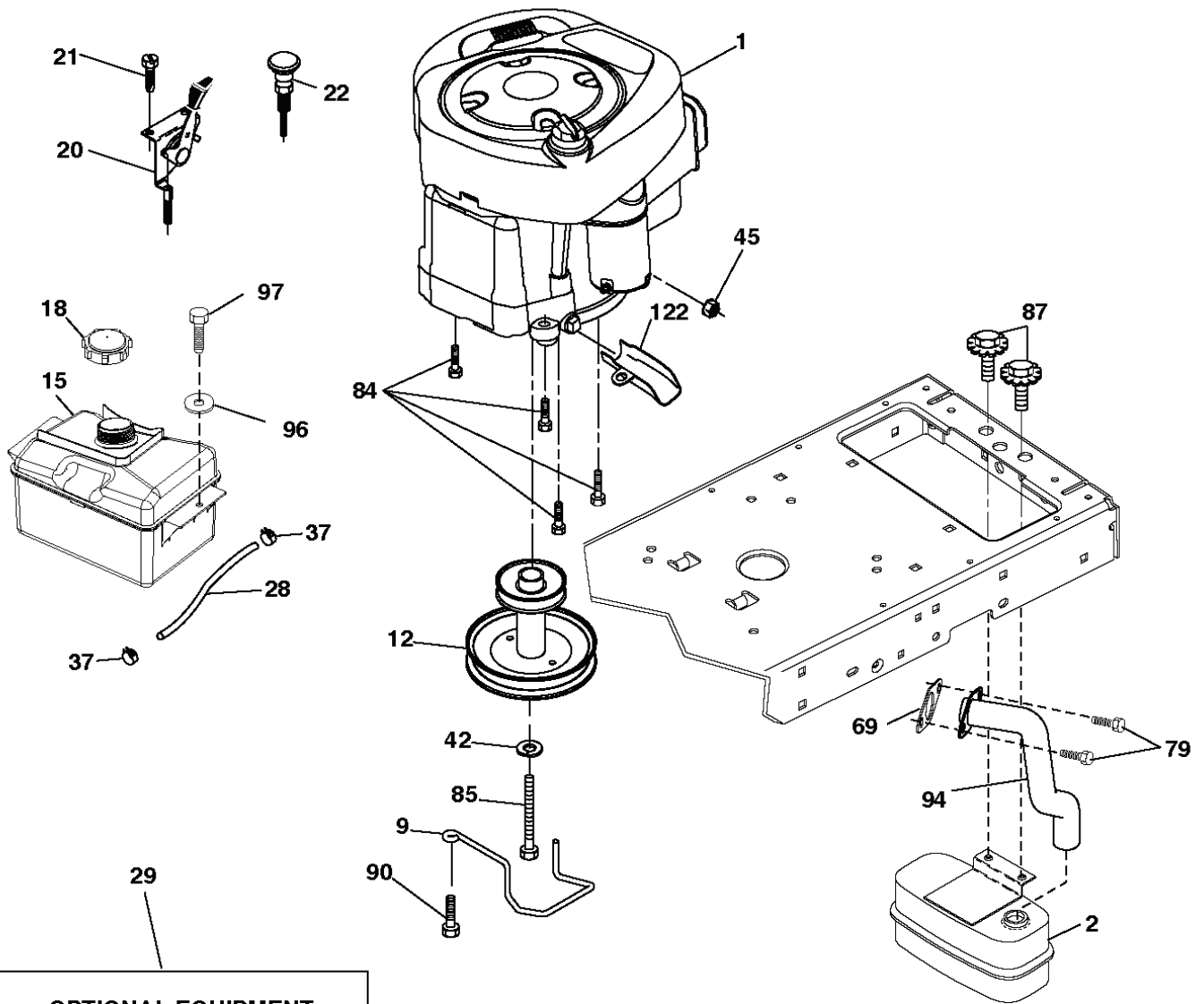
REF.	ART. NR	ARTIKELBESKRIVNING	ANMÄRKNING	KIT
1	000000000	W/O DESCRIPTION	Transaxle, Tufftorq K46BA (448348)	1
2	532123583	TANGENT		1
15	819131316	BRICKA		1
17	532413678	SRPING.BRAKE.K46.GREEN*SUBS/2*		1
22	532197660	STÄNG		1
23	532121274	KNOPP		1
29	532403806	STÄNG		1
33	812000001	FLÄNSRING		1
35	532401031	STÄNG		1
42	532124872	PEDAL RUBBER		1
49	872110614	BULT		1
50	532194327	REMSKIVA		1
51	873900600	MUTTER		1
52	532194326	REMSKIVA		1
56	532130969	REM		1
64	532196200	AXEL		1
70	532411329	KONSOL		1
73	874490540	BULT		1
74	532142432	SCREW		1
80	532440619	SPÄNNBAND		1
99	532415742	STÄNG		1
116	873900500	MUTTER		1
125	817000512	SCREW		1
143	817490508	SCREW		1
153	532124788	FLÄNSRING		1
159	876020412	SPLIT PIN		1
160	532169484	TAPP		1
161	532105709	FJÄDER		1
166	532429164	MUTTER		1
167	532405257	SPÄRRHAKE		1
170	532413430	REMSTYRARE		1
174	532197289	MUTTER		1
175	532408539	AXEL		1
176	532196214	ARM		1
178	532197456	FJÄDER		1
183	532137057	DISTANSBRICKA		1
184	532441407	BROMS		1
185	872110622	BULT		1
186	532194321	DISTANSBRICKA		1
187	819133210	BRICKA		1
188	532194323	LÄNK		1
189	532194317	PLATTA		1
190	532194318	REMSTYRARE		1
205	532121748	BRICKA		1
211	532196212	BUSHING		1
216	532196131	FÄSTE		1
221	532403187	FJÄDER		1
225	532403319	REMSTYRARE		1
226	532401564	FÄSTE		1
227	817490512	SCREW		1
230	532188967	BRICKA		1
231	532407287	REMSKIVA		1
232	874780716	BULT		1
233	532405296	BRICKA		1
263	817000612	SCREW		1
275	819131614	BRICKA		1
268	532182402	PROTECTOR		1
279	532413150	LÄNK		1

TR01K

With Service Minder Option

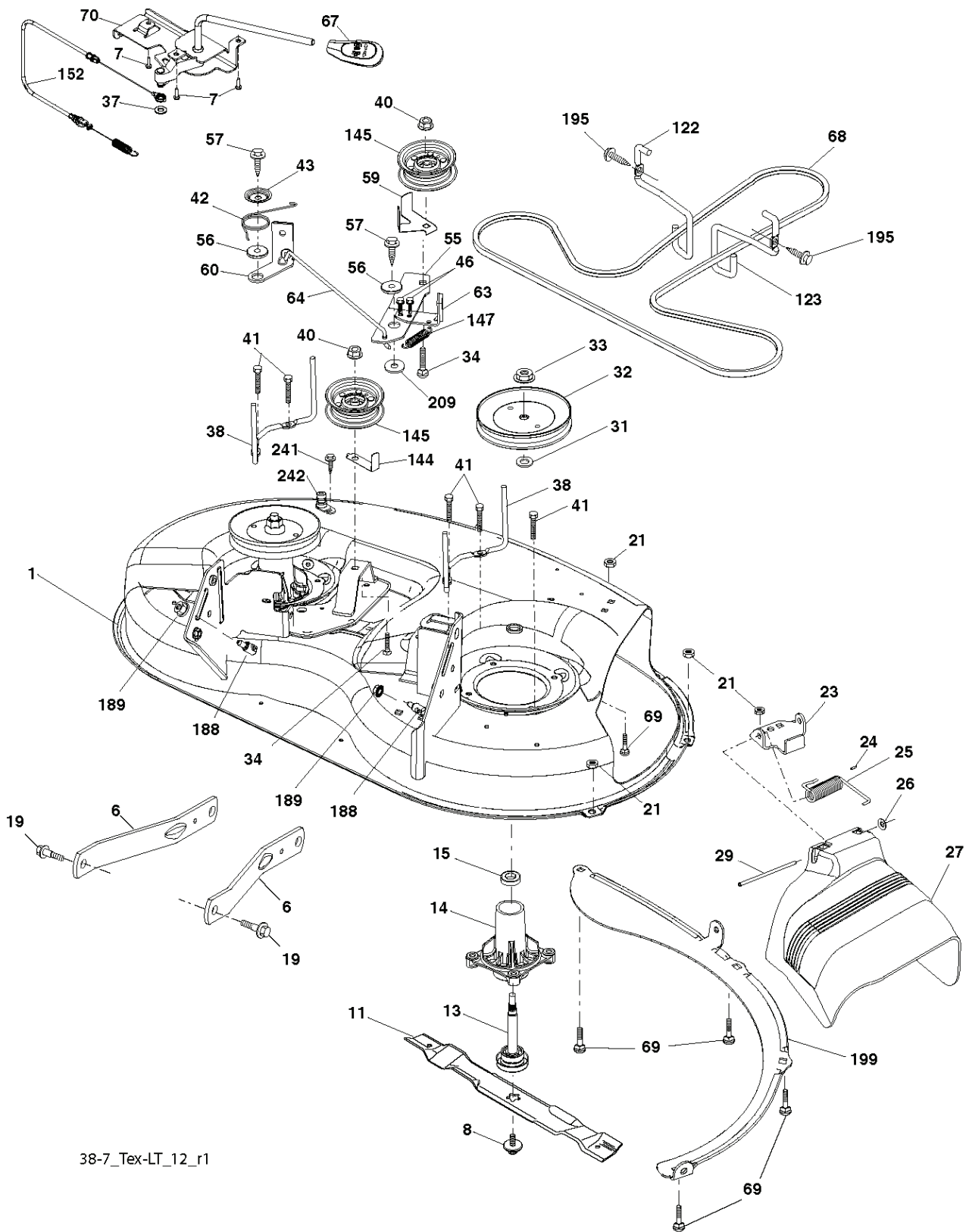


REF.	ART. NR	ARTIKELBESKRIVNING	ANMÄRKNING	KIT
1	532163465	BATTERI		1
2	874760412	BULT		1
8	532193228	LÅDA		1
16	532176138	MIKROBRYTARE		1
21	532400252	SELE		1
22	532004152	GLÖDLAMPA		1
25	581498001	KABEL		1
26	532175158	SÄKRING		1
27	873510400	MUTTER		1
28	532421686	KABEL		1
29	532401545	BRYTARE		1
30	532193350	TÄNDMODUL		1
33	532411935	TANGENT		1
34	532110712	BRYTARE		1
40	581023101	SELE		1
43	532192507	SOLENOID		1
55	817060512	SCREW		1
71	581023001	SELE		1
79	532175242	HÅLLARE		1
87	532197802	BRYTARE		1
90	532435395	KOPPLINGS SKYDD		1
92	532196615	KABLAGE KPL		1
93	532192540	SCREW		1
94	532191834	MODULE.REVERSE.ROS		1
99	817670412	SCREW		1
106	532174814	MUTTER		1



**OPTIONAL EQUIPMENT**  
**SPARK ARRESTER**

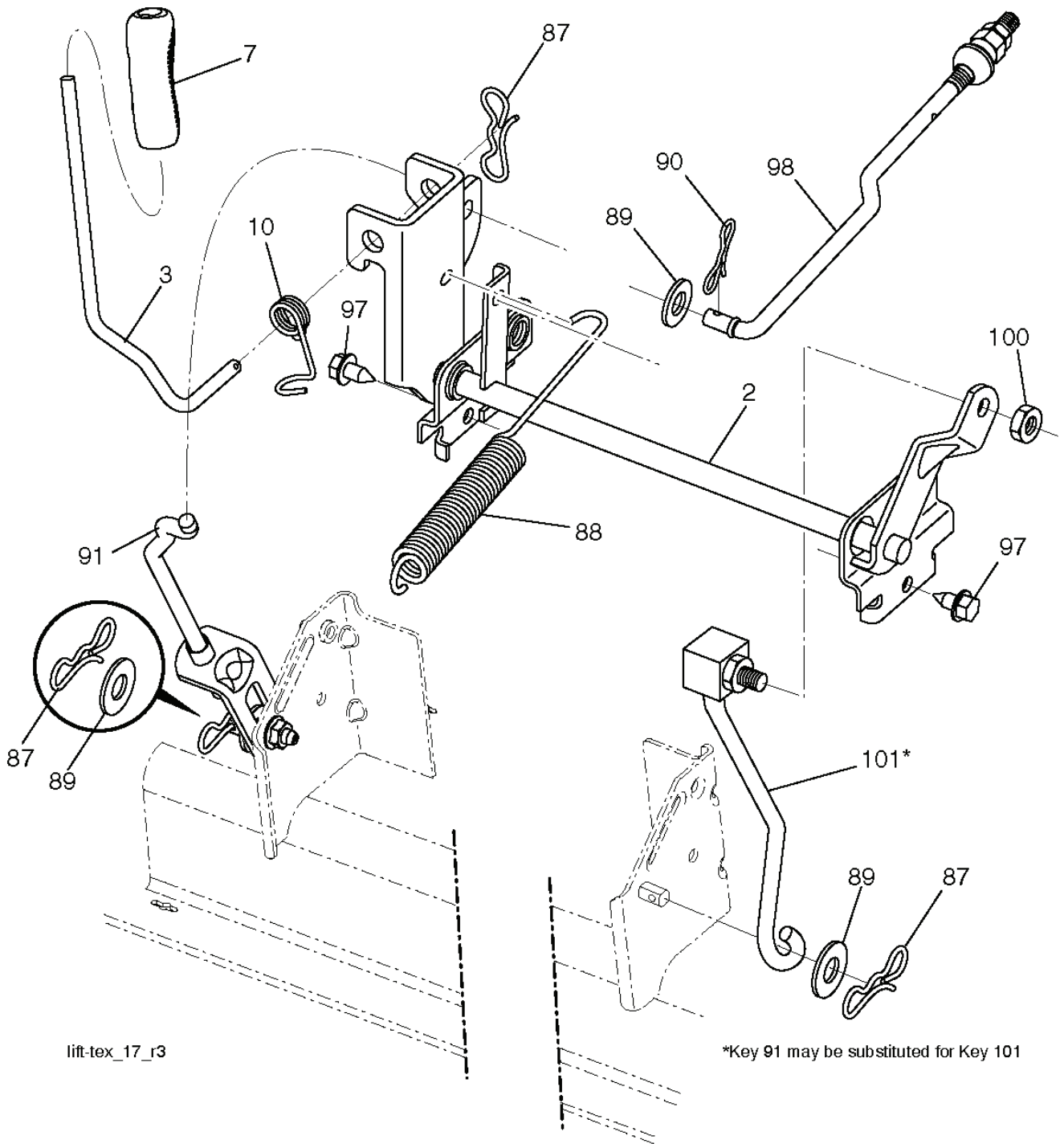
REF.	ART. NR	ARTIKELBESKRIVNING	ANMÄRKNING	KIT
1	000000000	W/O DESCRIPTION	ENGINE B&S MODEL 31E777-2439-B1 (438586)	1
2	532188655	LJUDDÄMPARE		1
9	532194320	REMSTYRARE		1
12	532405471	REMSKIVA		1
15	581289901	TANK		1
18	532430220	FUEL CAP		1
20	532183897	REGLAGE		1
21	532416358	SCREW		1
22	532194981	REGLAGE		1
28	532137040	SLANG		1
29	532137180	SPARK ARRESTER KIT		1
37	532123487	SLANGKLÄMMA		1
42	810040700	BRICKA		1
45	873510400	MUTTER		1
69	532165291	PACKNING		1
79	532192334	SCREW		1
84	817060620	SCREW		1
85	532173937	BULT		1
87	532171877	BULT		1
90	817000616	SCREW		1
94	581880901	RÖR		1
96	819091416	BRICKA		1
97	817670412	SCREW		1
122	532421922	EXTENSION PIPE		1



38-7\_Tex-LT\_12\_r1

REF.	ART. NR	ARTIKELBESKRIVNING	ANMÄRKNING	KIT
1	532194251	HUS		1
6	532195186	ARM		1
7	532416358	SCREW		1
8	532193003	SCREW		1
11	532193957	RIDE ON BLADE		1
13	532192872	AXEL KPL		1
14	532187281	LAGERHUS		1
15	532110485	LAGER		1
19	532196539	BULT		1
21	873680500	MUTTER		1
23	532192557	GÅNGJÄRN		1
24	532105304	NAVKAPSEL		1
25	532197026	VRIDFJÄDER		1
26	532110452	MUTTER		1
27	532401472	DEFLEKTOR		1
29	532131491	AXEL		1
31	532187690	BRICKA		1
32	532199789	REMSKIVA		1
33	532400234	MUTTER		1
34	872110612	BULT		1
37	819131316	BRICKA		1
38	532199541	REMSTYRARE		1
40	873900600	MUTTER		1
41	584953901	BULT		1
42	532198410	FJÄDER		1
43	532197256	FJÄDER		1
46	532137729	SCREW		1
55	532197249	ARM		1
56	532199092	DISTANSBRICKA		1
57	817000616	SCREW		1
59	532141043	SKYDD		1
60	532199471	ARM		1
63	532199470	ARM		1
64	532199790	LÄNK		1
67	532403012	HANDTAG		1
68	532408381	REM		1
69	872140505	BULT		1
70	532401246	KOPPLING		1
122	532197258	REMSTYRARE		1
123	532197259	REMSTYRARE		1
144	532193414	REMSTYRARE		1
145	532193197	REMSKIVA		1
147	532401872	FJÄDER		1
152	532435111	KABEL		1
188	532195161	STUD		1
189	873900500	MUTTER		1
195	817000612	SCREW		1
199	532400095	SKYDD		1
209	819133210	BRICKA		1
241	532152927	SCREW		1
242	532415598	SLANGANSLUTNING		1
--	532192870	SPINDEL		1
--	532431560	KLIPPAGGREGAT		1



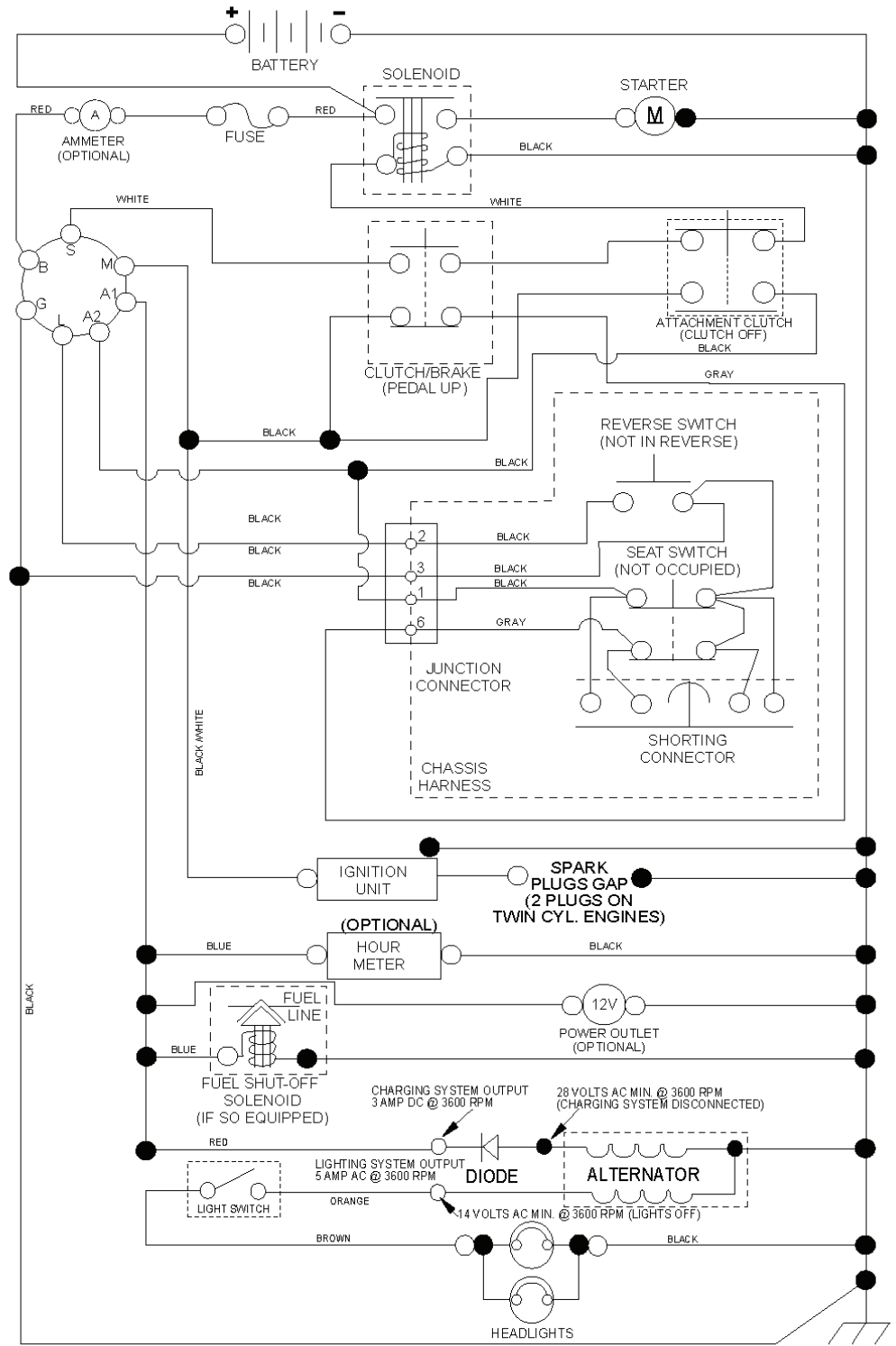


lift-tex\_17\_r3

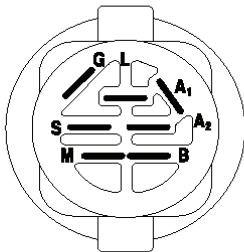
\*Key 91 may be substituted for Key 101

---

REF.	ART. NR	ARTIKELBESKRIVNING	ANMÄRKNING	KIT
2	532422027	AXEL		1
3	532195231	HÄVARM		1
7	580962301	GREPP		1
10	532196314	FJÄDER		1
87	532194209	FJÄDER		1
88	532410710	FJÄDER		1
89	819191912	BRICKA		1
90	532194208	TAPP		1
91	532195181	LÄNK		1
97	817000612	SCREW		1
98	532195270	LÄNK		1
100	873930600	MUTTER		1
101	532407003	LÄNK		1

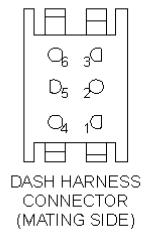
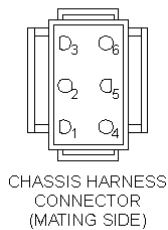


**NOTE**  
 YOUR TRACTOR IS EQUIPPED WITH A SPECIAL ALTERNATOR SYSTEM. THE LIGHTS ARE NOT CONNECTED TO THE BATTERY, BUT HAVE THEIR OWN ELECTRICAL SOURCE. BECAUSE OF THIS, THE BRIGHTNESS OF THE LIGHTS WILL CHANGE WITH ENGINE SPEED. AT IDLE THE LIGHTS WILL DIM. AS THE ENGINE IS SPEEDED UP, THE LIGHTS WILL BECOME THEIR BRIGHTEST.



**IGNITION SWITCH**

POSITION	CIRCUIT "MAKE"
OFF	M+G+A1
RUN/OVERRIDE	B+A1
RUN	B+A1 L+A2
START	B+S+A1

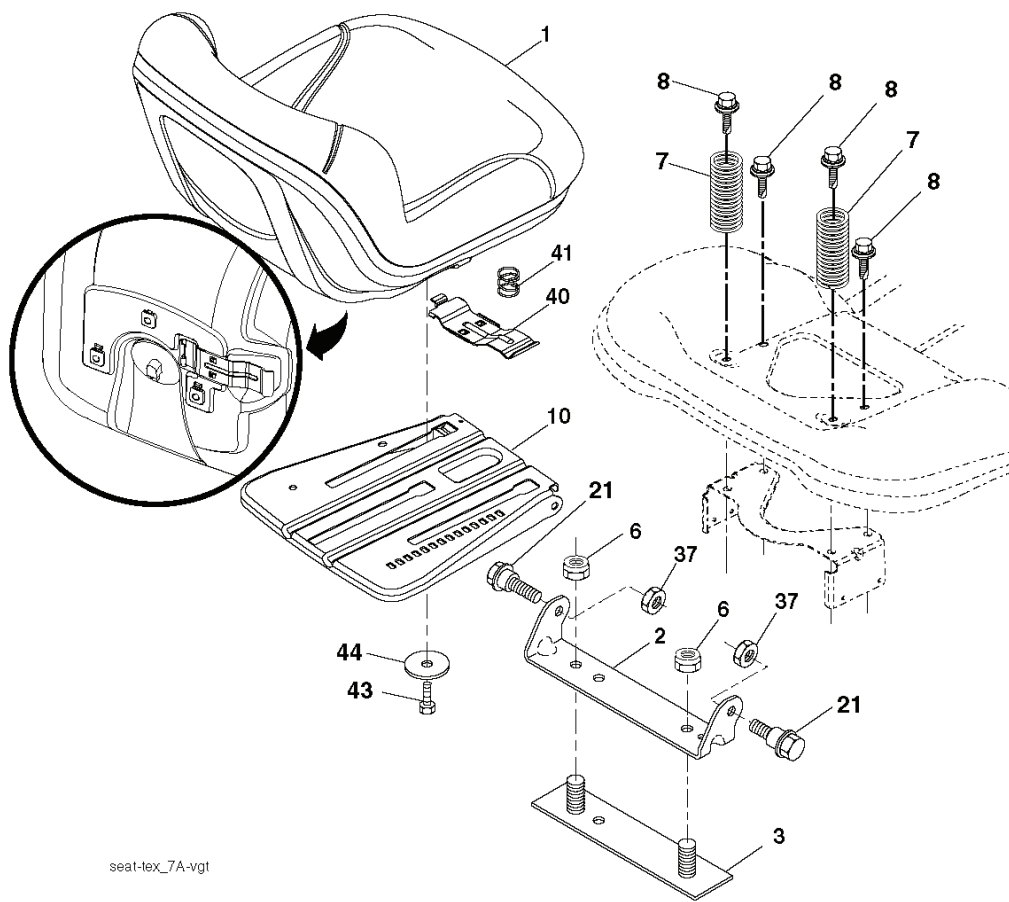


**WIRING INSULATED CLIPS**  
 NOTE: IF WIRING INSULATED CLIPS WERE REMOVED FOR SERVICING OF UNIT, THEY SHOULD BE RE-INSTALLED TO PROPERLY SECURE YOUR WIRING.

● NON-REMOVABLE CONNECTIONS

○ REMOVABLE CONNECTIONS

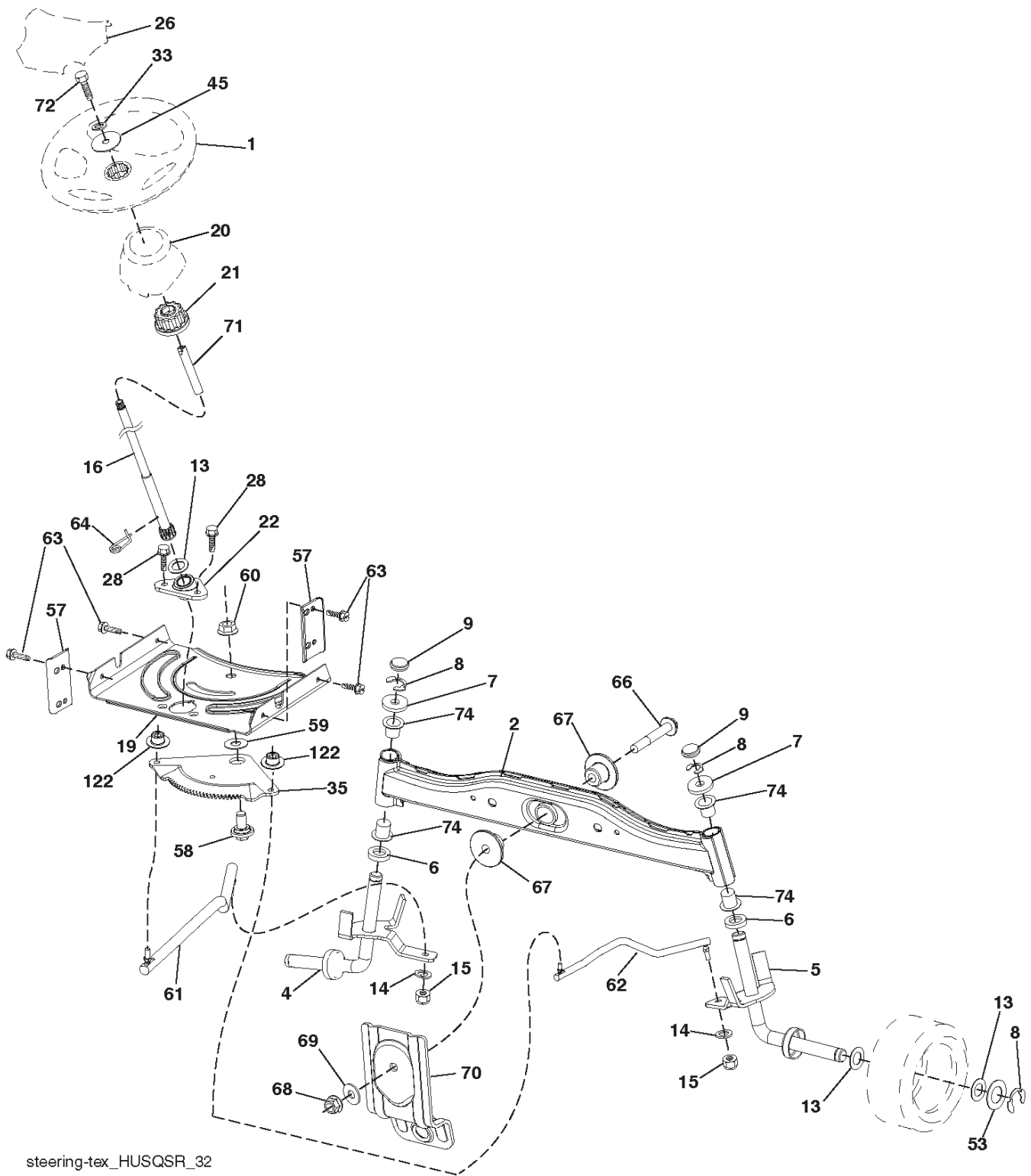




seat-tex\_7A-vgt

---

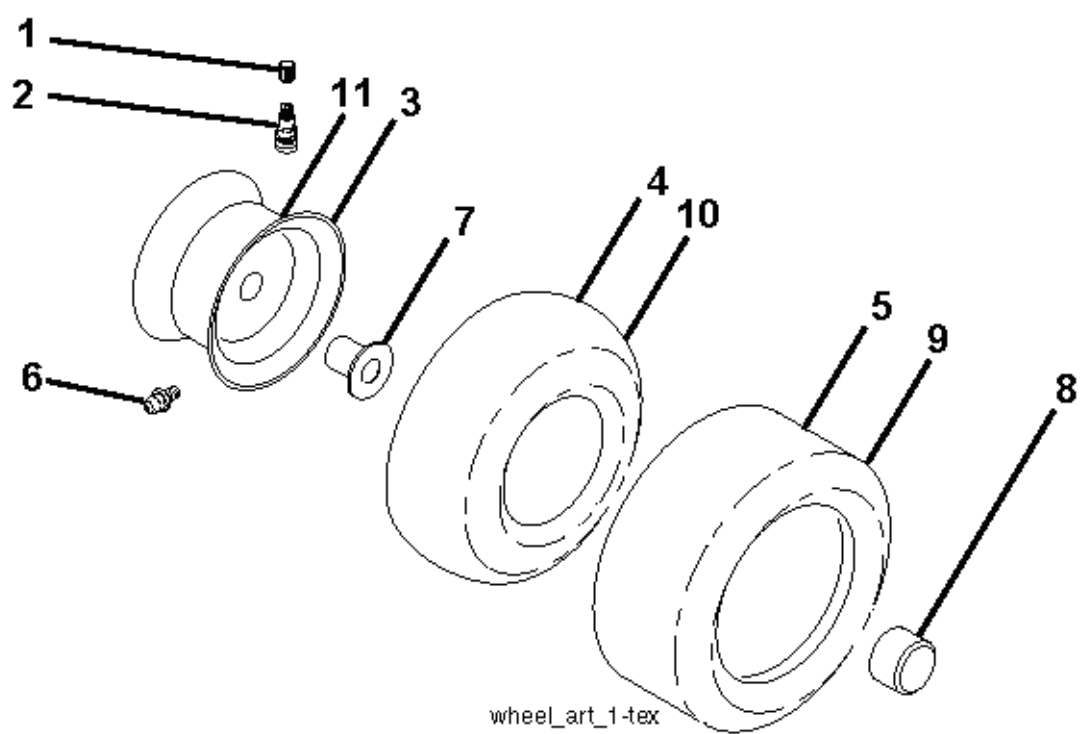
REF.	ART. NR	ARTIKELBESKRIVNING	ANMÄRKNING	KIT
1	532411405	SÅTE		1
2	532180166	FÄSTE		1
3	532140675	SPÄNNBAND		1
6	873800600	MUTTER		1
7	532124181	FJÄDER		1
8	532171877	BULT		1
10	532196977	PLATTA		1
21	532171852	BULT		1
37	873800500	LOCK NUT		1
40	532197661	HANDTAG		1
41	532198200	FJÄDER		1
43	874760612	BULT		1
44	819133812	BRICKA		1



steering-tex\_HUSQSR\_32

REF.	ART. NR	ARTIKELBESKRIVNING	ANMÄRKNING	KIT
1	532424146	RATT		1
2	532418168	AXEL		1
4	532403087	SPINDEL		1
5	532403088	SPINDEL		1
6	532124931	BRICKA		1
7	532121748	BRICKA		1
8	812000029	FLÄNSRING		1
9	532121232	NAVKAPSEL		1
13	532121749	BRICKA		1
14	810040600	BRICKA		1
15	873540600	MUTTER		1
16	532429373	AXEL		1
19	532194729	PLATTA		1
20	532409763	RATTKOLONN		1
21	532186737	ADAPTER		1
22	532420537	STÖD		1
26	532424147	NAVKAPSEL		1
28	817000612	SCREW		1
33	810040500	BRICKA		1
35	532194732	PLATTA		1
45	819113812	BRICKA		1
53	532188967	BRICKA		1
57	532407465	FÄSTE		1
58	532194747	BULT		1
59	532194748	BRICKA		1
60	873971000	MUTTER		1
61	532194740	LÄNK		1
62	532194741	LÄNK		1
63	817000512	SCREW		1
64	532199849	FJÄDERFÄSTE		1
66	871020748	BULT		1
67	532194737	BUSHING		1
68	873900700	MUTTER		1
69	532199162	BRICKA		1
70	532196197	FÄSTE		1
71	532190752	AXEL		1
72	532428982	BULT		1
74	532124937	BEARING COL. STRG.		1
122	532444962	HATT		1





wheel\_art\_1-tex

REF.	ART. NR	ARTIKELBESKRIVNING	ANMÄRKNING	KIT
1	532059192	CAP VALVE		1
2	532065139	NIPPEL		1
3	532138336	FÄLG	Front 6"	1
4	532059904	SLANG	(Service Item Only)	1
5	532106222	DÄCK	Front 15" x 6.0"-6"	1
6	532124957	FITTING	(Front Wheel Only)	1
7	532124959	LAGER	(Front Wheel Only)	1
8	532175039	NAVKAPSEL		1
9	532420531	DÄCK	Rear 18" x 9.5"-8"	1
10	532124926	SLANG	(Service Item Only)	1
11	532138337	RINGDREV	Rear 8"	1
--	532144334	SEALING FOAM		1
	ART. NR		ANMÄRKNING	KIT